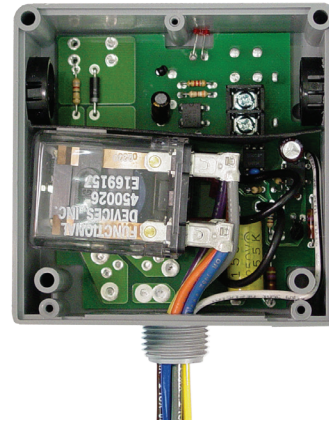
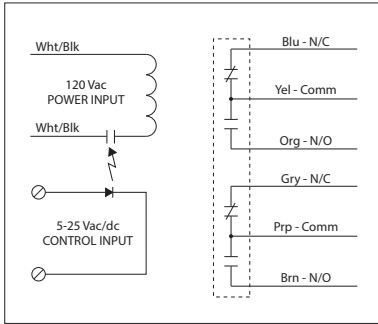


LOW COIL INPUT RELAY

RIBTE01P

Enclosed Relay Hi/Low Separation 20 Amp DPDT,
120 Vac Power Input + 5-25 Vac/dc Control Input



RELAYS

SPECIFICATIONS

- Power Input:** 120 Vac, 50-60 Hz
- Control Input:** 5-25 Vac/dc, 50-60 Hz
- # Relays & Contact Type:** One (1) DPDT Continuous Duty Coil
- Expected Relay Life:** 10 million cycles minimum mechanical
- Operating Temperature:** -30 to 140° F
- Humidity Range:** 5 to 95% (noncondensing)
- Operate Time:** 18ms
- Relay Status:** LED On = Activated
- Dimensions:** 4.00" x 4.00" x 1.80" with .50" NPT Nipple
- Wires:** 16", 600V Rated
- Approvals:** UL Listed, UL916, UL864, C-UL California State Fire Marshal
- Housing Rating:** UL Accepted for Use in Plenum, NEMA 1
- Gold Flash:** Yes
- Override Switch:** No

- Contact Ratings:**
- 20 Amp Resistive @ 300 Vac
- 20 Amp Resistive @ 28 Vdc
- 15 Amp Resistive @ 600 Vac
- 20 Amp Ballast @ 277-480 Vac
- Not rated for Electronic Ballast*
- 770 VA Pilot Duty @ 120 Vac
- 1158 VA Pilot Duty @ 240 Vac
- 1110 VA Pilot Duty @ 277 Vac
- 1640 VA Pilot Duty @ 480 Vac
- 3 HP @ 480-600 Vac
- 2 HP @ 240-277 Vac
- 1 HP @ 120 Vac

- Power Input Ratings:**
- 105 mA @ 120 Vac

- Control Input Ratings:**
- .4 mA @ 5 Vdc
- .9 mA @ 10 Vdc
- 1 mA @ 12 Vdc
- 2 mA @ 24 Vdc
- 3 mA @ 24 Vac (Non Polarized)